



Letter of Transmittal

To:

Date:

Subject:

Job Name:

Project #:

Location:

We are sending you:

- Copy of Letter Plans/Prints Mix Designs Quotation
 Change Order Shop Drawings Material Submittals
 Specifications Samples Other

Document Type	Pages	Description

These are transmitted as:

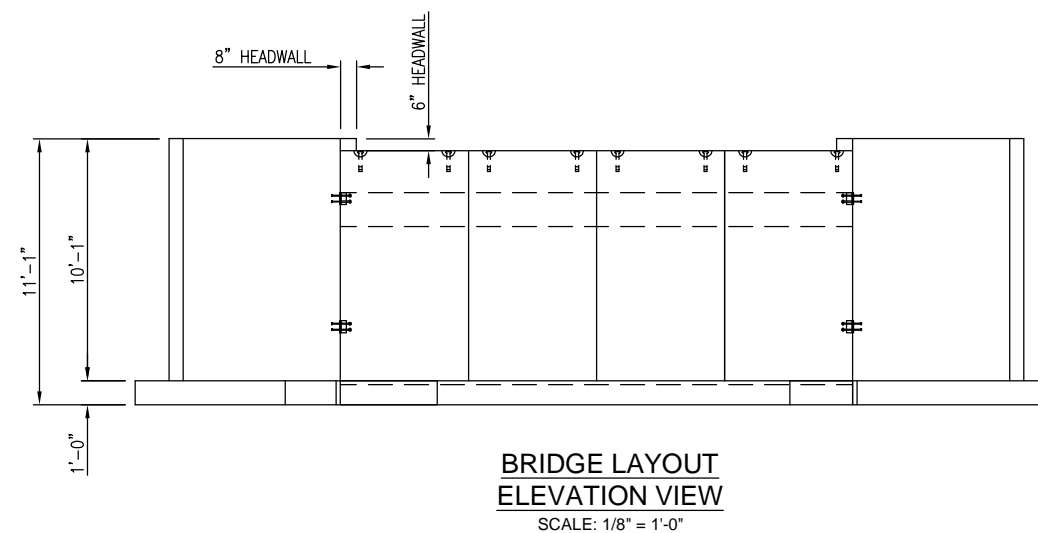
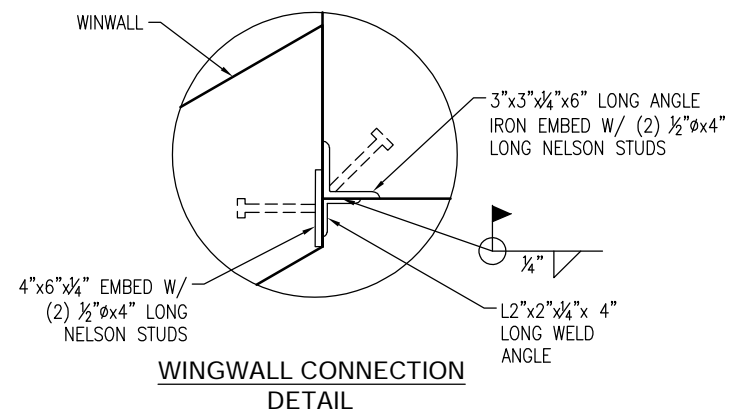
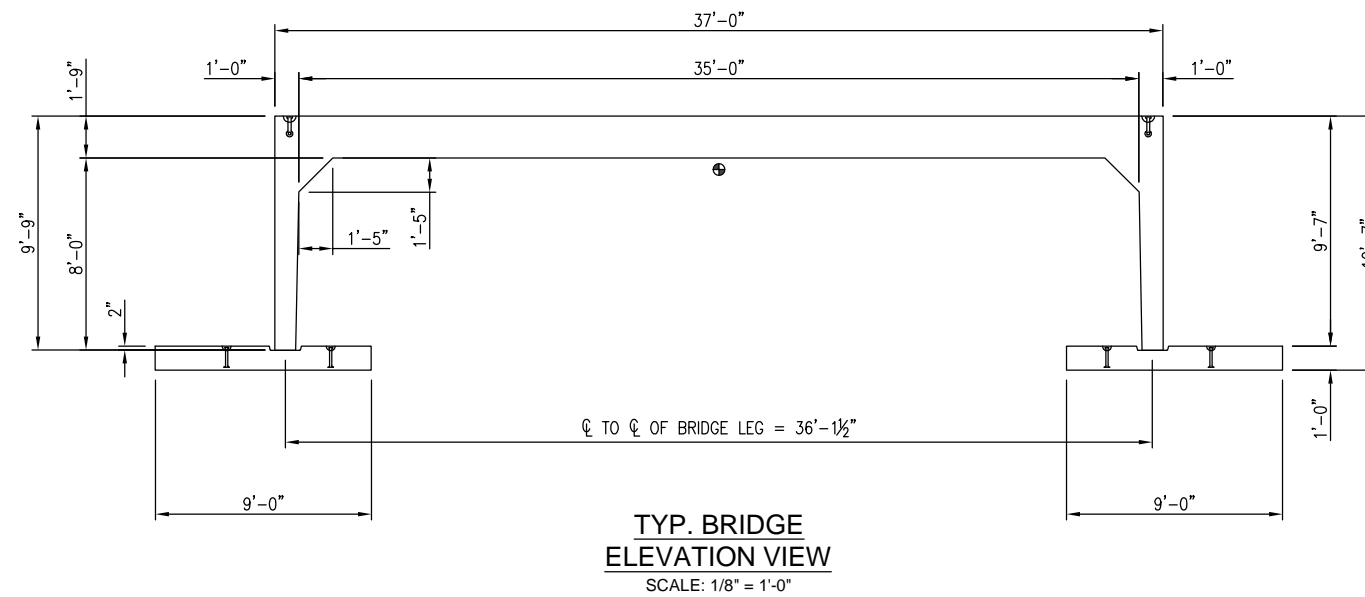
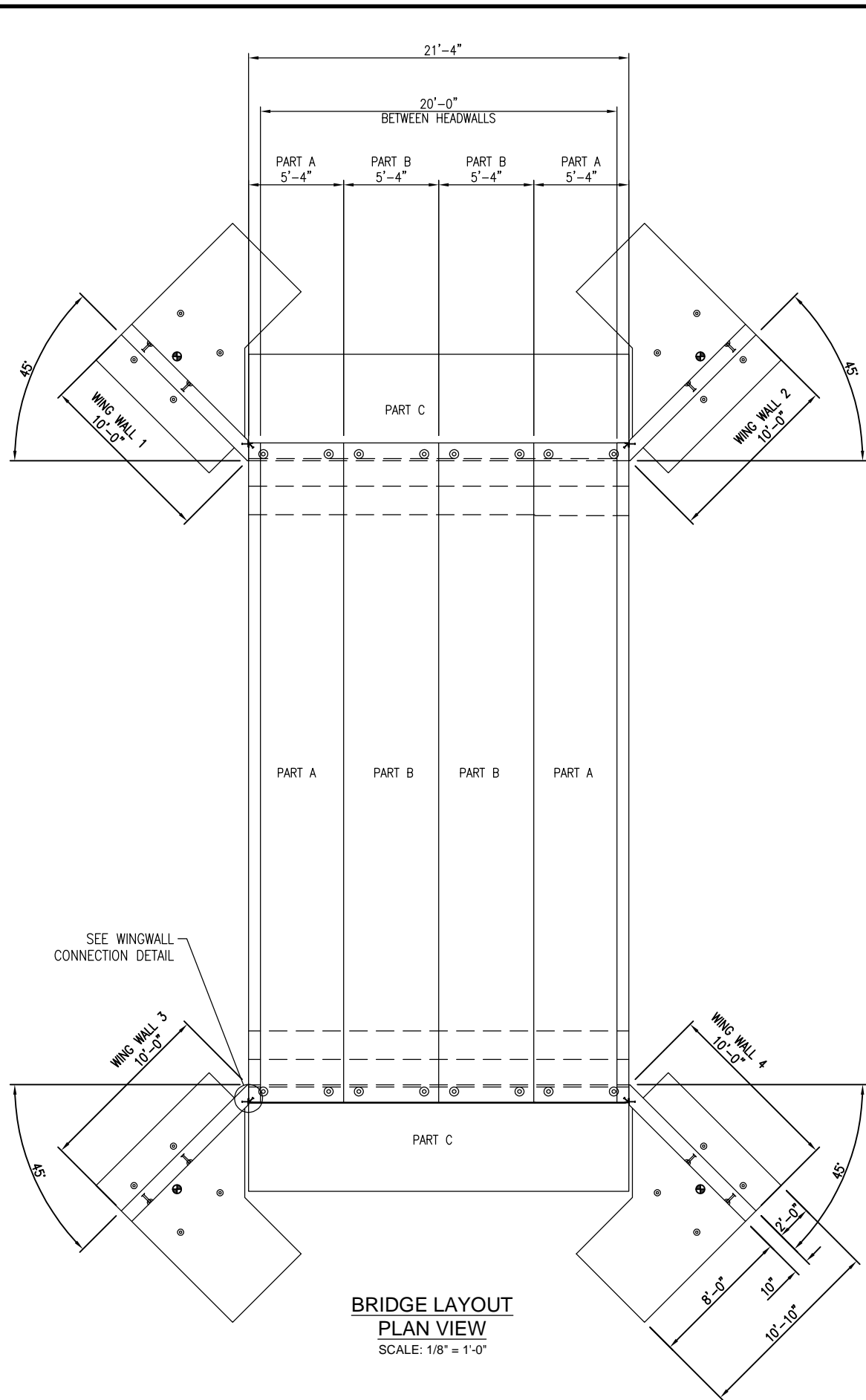
- | | | |
|---------------------------------------|-----------------------------------|---|
| <input type="checkbox"/> For Approval | <input type="checkbox"/> Resubmit | <input type="checkbox"/> Approved |
| <input type="checkbox"/> As Requested | <input type="checkbox"/> Other | <input type="checkbox"/> Approved as Noted |
| <input type="checkbox"/> For Your Use | | <input type="checkbox"/> Amend and Resubmit |

Remarks:

From:

Oldcastle Infrastructure
2240 South Yellowstone Hwy
Idaho Falls, ID 83402

Accepted by:



PART A WEIGHT	
CONC. VOL.	16.70 C.Y.
WEIGHT	70,140 LBS
PART B WEIGHT	
CONC. VOL.	16.20 C.Y.
WEIGHT	68,040 LBS
PART C WEIGHT	
CONC. VOL.	7.20 C.Y.
WEIGHT	30,240 LBS
WINGWALL 1-4 WEIGHT	
CONC. VOL.	5.92 C.Y.
WEIGHT	24,864 LBS

- DESIGN NOTES**
- MIN. DESIGN CRITERIA PER AASHTO CODE & AS NOTED.
 - DESIGN LOADING:
 - LOADING: HL-93, HS-25, EV-3, EV-2
 - SOIL UNIT WEIGHT = 120 PCF.
 - WEARING SURFACE: 75 PSF
 - DEPTH OF OVERBURDEN: 0'-6" MIN. TO 2'-0" MAX.
 - MIN. EQP = 30 PCF
 - MAX EQP = 60 PCF
 - CONCRETE 28 DAY COMPRESSIVE STRENGTH: 6,000 PSI (MIN). STRIPPING STRENGTH: 2,500 PSI (MIN) U.N.O.
 - STEEL REINFORCING: BAR: ASTM A-615 GRADE 60. WWF: ASTM A-1064, fy=70 ksi.
 - CEMENT: TYPE III/V, ASTM C-150 SPECIFICATION.
 - FLY ASH: ASTM C-618 SPECIFICATION.

CONTRACTOR / PROJECT ENGINEER APPROVAL
I HAVE REVIEWED & UNDERSTAND THIS DRAWING & AUTHORIZE FABRICATION AS SHOWN OR REVISED AS NOTED.

CONTRACTOR IS TO VERIFY THAT ALL INFORMATION SHOWN ON DRAWINGS HAS BEEN CHECKED, COMPLIES WITH THE CONTRACT DOCUMENTS AND IS ADEQUATE TO MEET THE FIELD CONDITIONS. OLDCASTLE PRECAST ACCEPTS NO RESPONSIBILITY FOR ERRORS OR OMISSIONS AFTER RECEIPT OF APPROVED SHOP DRAWINGS. NOTE: PRODUCTION WILL NOT COMMENCE UNTIL RECEIPT OF SIGNED APPROVED SHOP DRAWINGS.



2240 S YELLOWSTONE HWY
IDAHO FALLS, IDAHO 83402
PHONE: (208) 522-6150, FAX: (208) 522-9701

THIS DOCUMENT IS THE PROPERTY OF OLDCASTLE PRECAST, INC. IT IS SUBMITTED FOR REFERENCE PURPOSES ONLY AND SHALL NOT BE USED IN ANY WAY INJURIOUS TO THE INTERESTS OF SAID COMPANY.

COPYRIGHT © 2018 OLDCASTLE PRECAST, INC. ALL RIGHTS RESERVED.

35' X 8' BRIDGE
SUBMITTAL DWG
HOHMAN RESIDENCE
KETCHUM, ID

CUSTOMER					
RIEMANN DESIGN & CONST.					
DATE	PLANT	PL	DRAWN BY	ENGINEER	SALES ORDER
8/30/21	IDAHO	NA	ED		177223
DRAWING NUMBER				REVISION	SHEET
177223_35' X 8' BRIDGE				REV DATE	1 OF 1

#	DATE	REVISIONS	BY
1			
2			